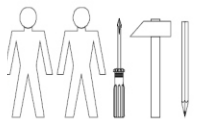
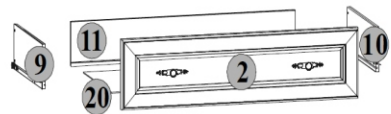
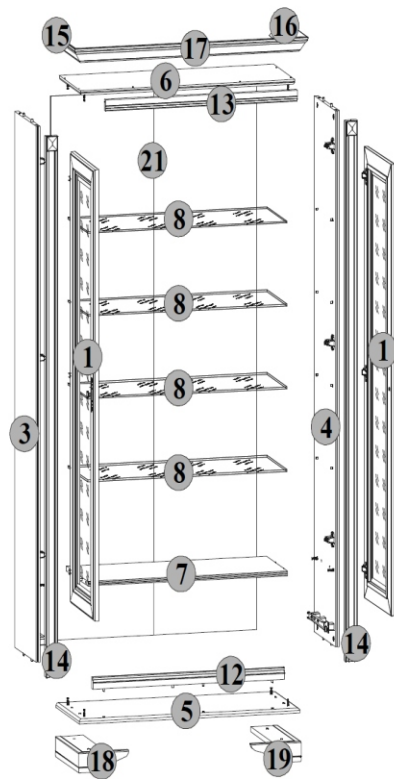
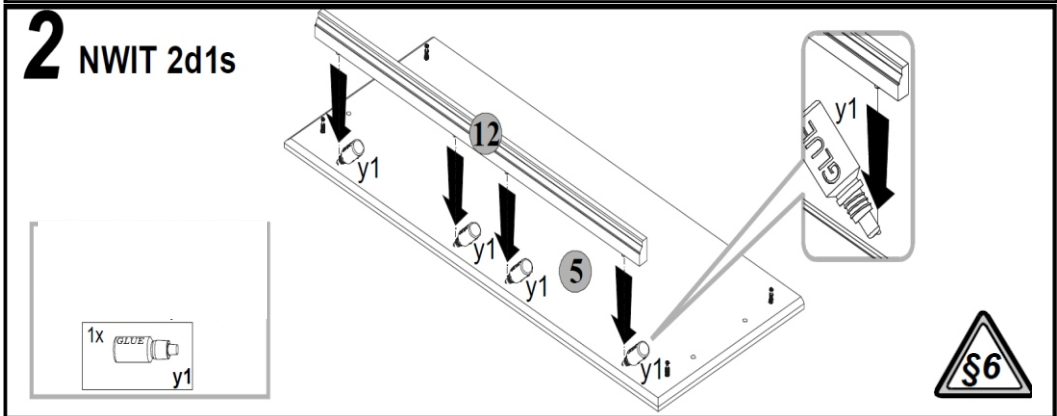
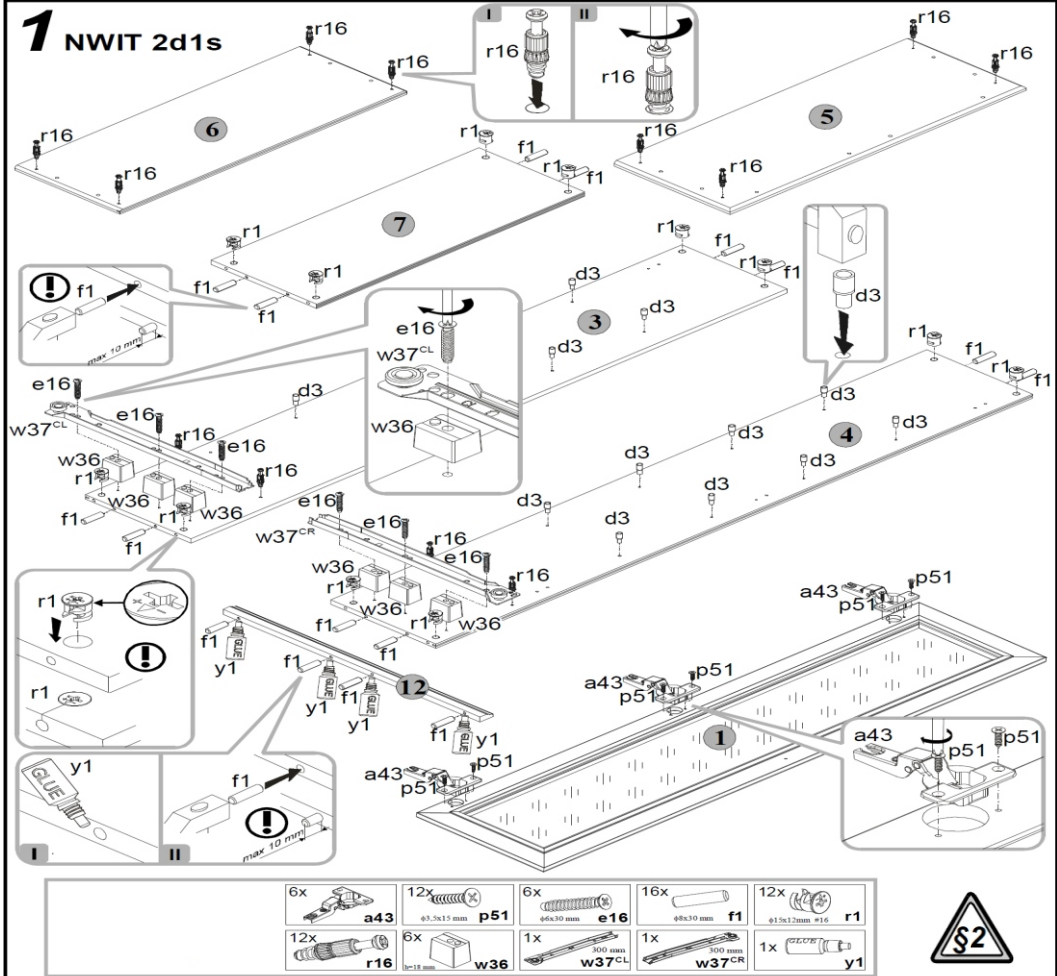
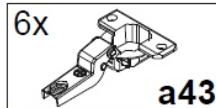


STYLIUS NWIT 2d1s

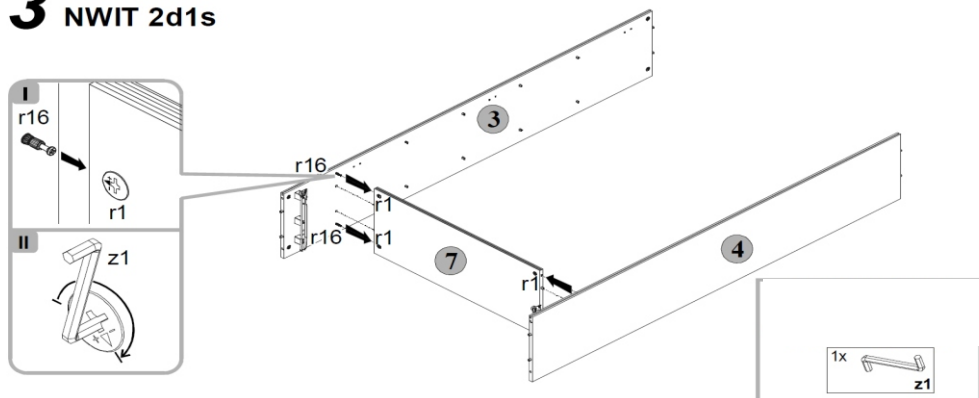
A	B	C	D
1	1564x396	S21-033	7/7
2	794x221	S21-015	6/7
3	1857x328	S21-104	1/7
4	1857x328	S21-105	1/7
5	922x361	S21-212	2/7
6	896x328	S21-213	2/7
7	832x328	S21-307	1/7
8	830x310	S21-562	3/7
9	320x140	S21-504	1/7
10	320x140	S21-505	1/7
11	747x140	S21-510	1/7
12	798x40	S21-572	4/7
13	798x40	S21-581	4/7
14	1873x50	S21-573	4/7
15	387x79	S21-1571	4/7
16	387x79	S21-1572	4/7
17	971x79	S21-1575	4/7
18	210x365	S21-2577	5/7
19	210x365	S21-2578	5/7
20	758x318	S21-911	1/7
21	1884x859	S21-912	1/7



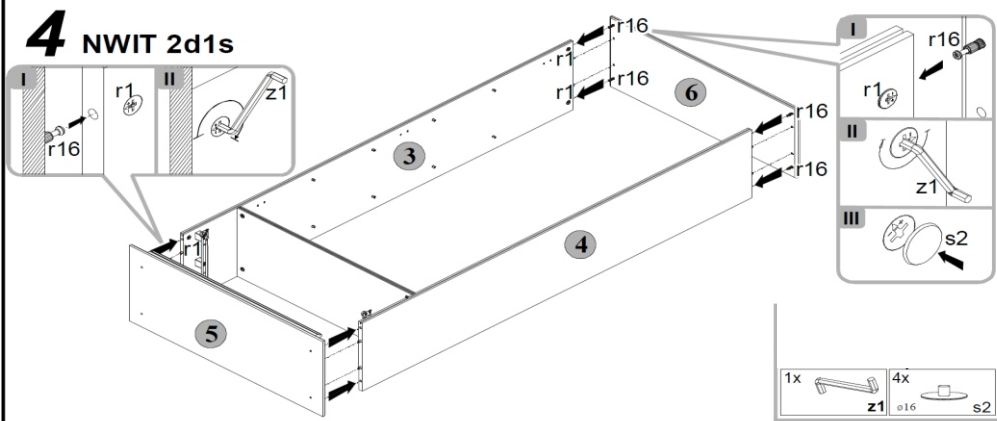
6x D22.5 b18	4x c84 ¹	4x c84 ²	16x ϕ 5x17 mm d3	12x ϕ 6.3x13 mm e2	6x ϕ 6x30 mm e16	4x ϕ 5x9 mm e19
4x ϕ 7x28 mm e22	16x ϕ 8x30 mm f1	18x 46x18x4 mm f11	4x ϕ 6.5x40 mm f25	2x M4x30 mm j6	1x M4x14 mm j29	65x l1
2x 42x50x7 mm l21	2x 26x26x161 - 125x n40	2x 50x12x13.51.5 mm n54	2x ϕ 5.5x16 mm p25	4x ϕ 3.5x20 mm p20	2x ϕ 3.5x10 mm p35	2x ϕ 3.5x16 mm p38
4x ϕ 3x7 mm p46	12x ϕ 3.5x15 mm p51	12x ϕ 1.5x12mm #16 r1	4x ϕ 12x10.5mm #12 r15	16x ϕ 6x30 mm r16	4x ϕ 16 s2	1x 303 mm t15
1x 300 mm w37 ^{CL}	1x 300 mm w37 ^{CR}	1x 300 mm w37 ^{DL}	1x 300 mm w37 ^{DR}	6x w36	1x GLUE y1	1x z1



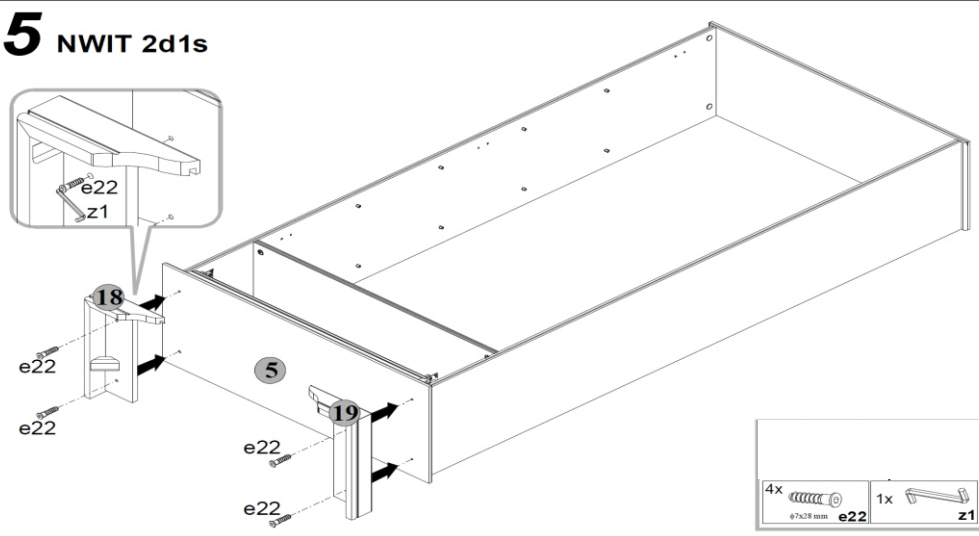
3 NWIT 2d1s



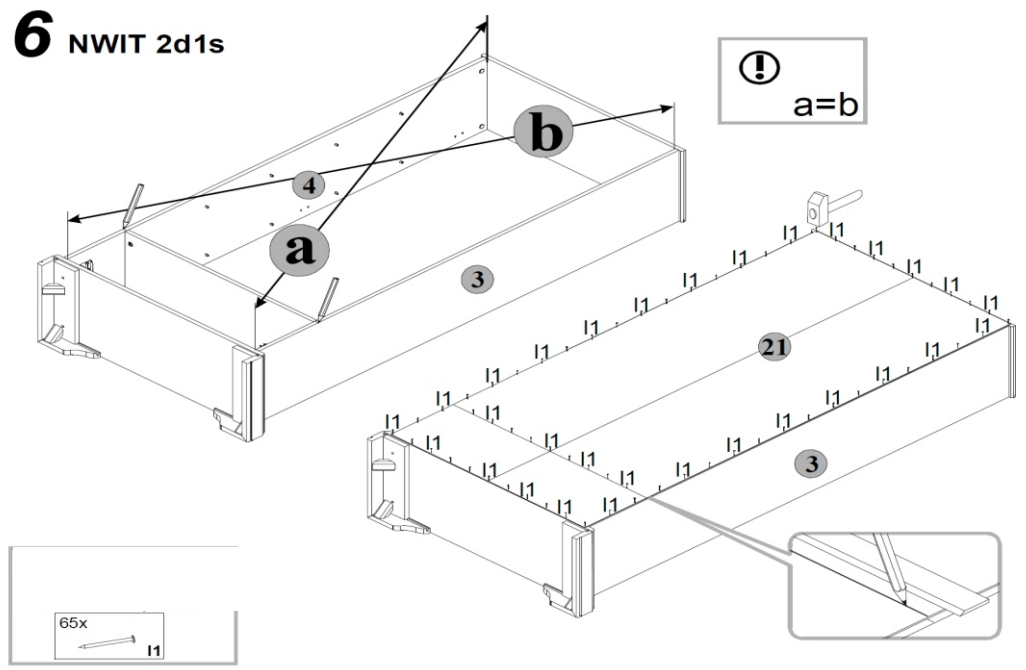
4 NWIT 2d1s



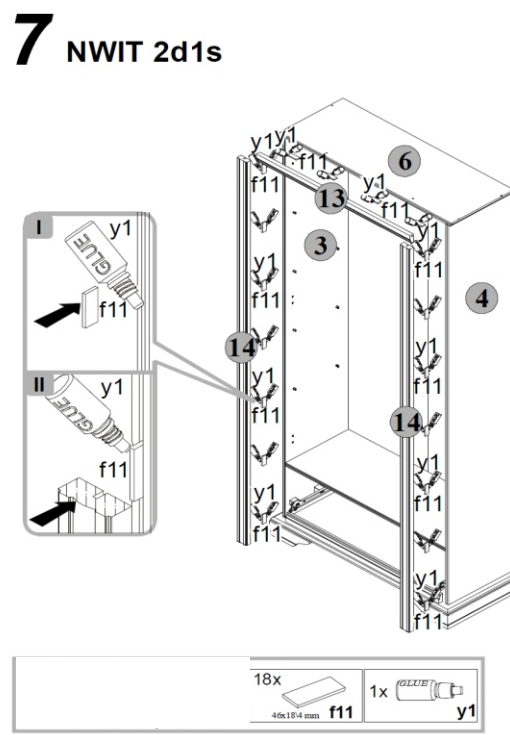
5 NWIT 2d1s



6 NWIT 2d1s



7 NWIT 2d1s



8 NWIT 2d1s

